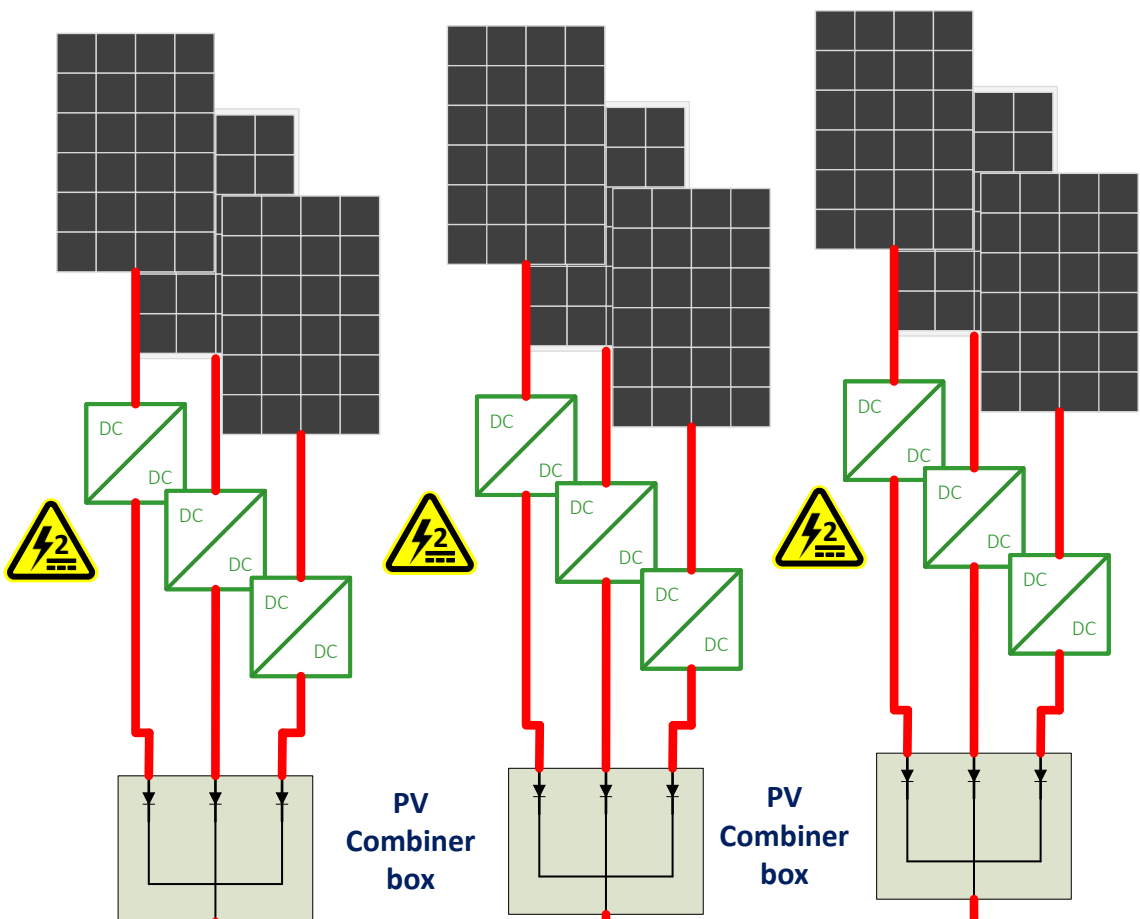


500 panels with each its own optimizer
Total power 150kW Peak

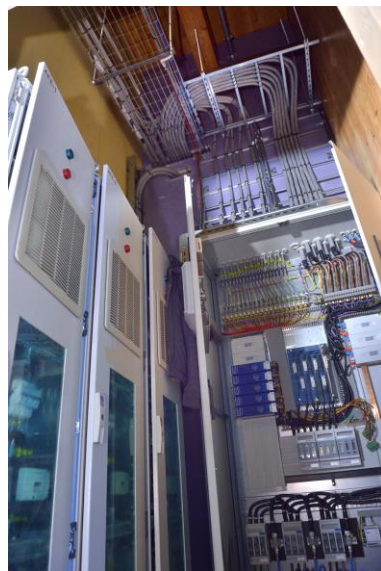
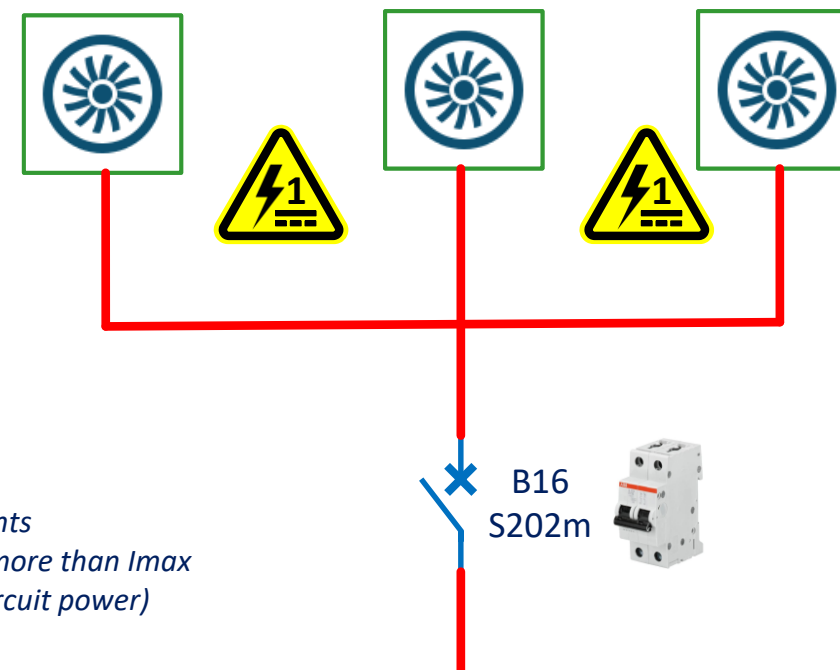


Commercial Building : Circl Pavilion

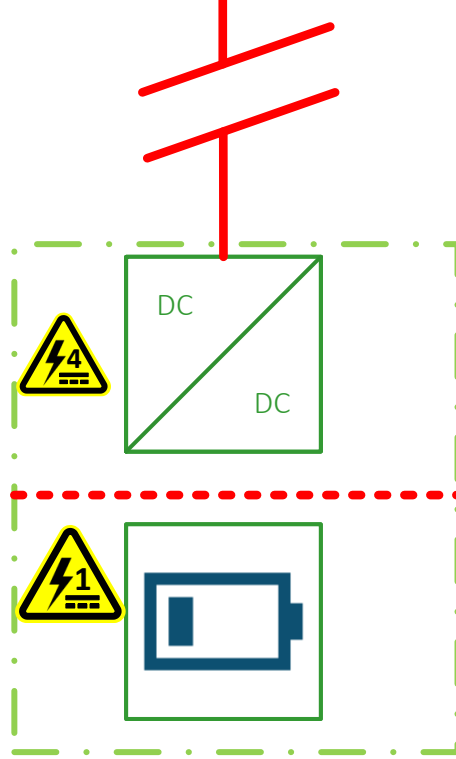


These zone classifications are accepted in the NRP9090

- Zone 0 unprotected source
- Zone 1 protection by fuses or circuit breakers high breaking currents
- Zone 2 is current limited, DC/DC Converters that will not deliver more than I_{max}
- Zone 3 and 4 are based on semiconductor protection (no short circuit power)

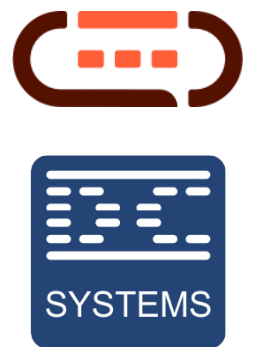
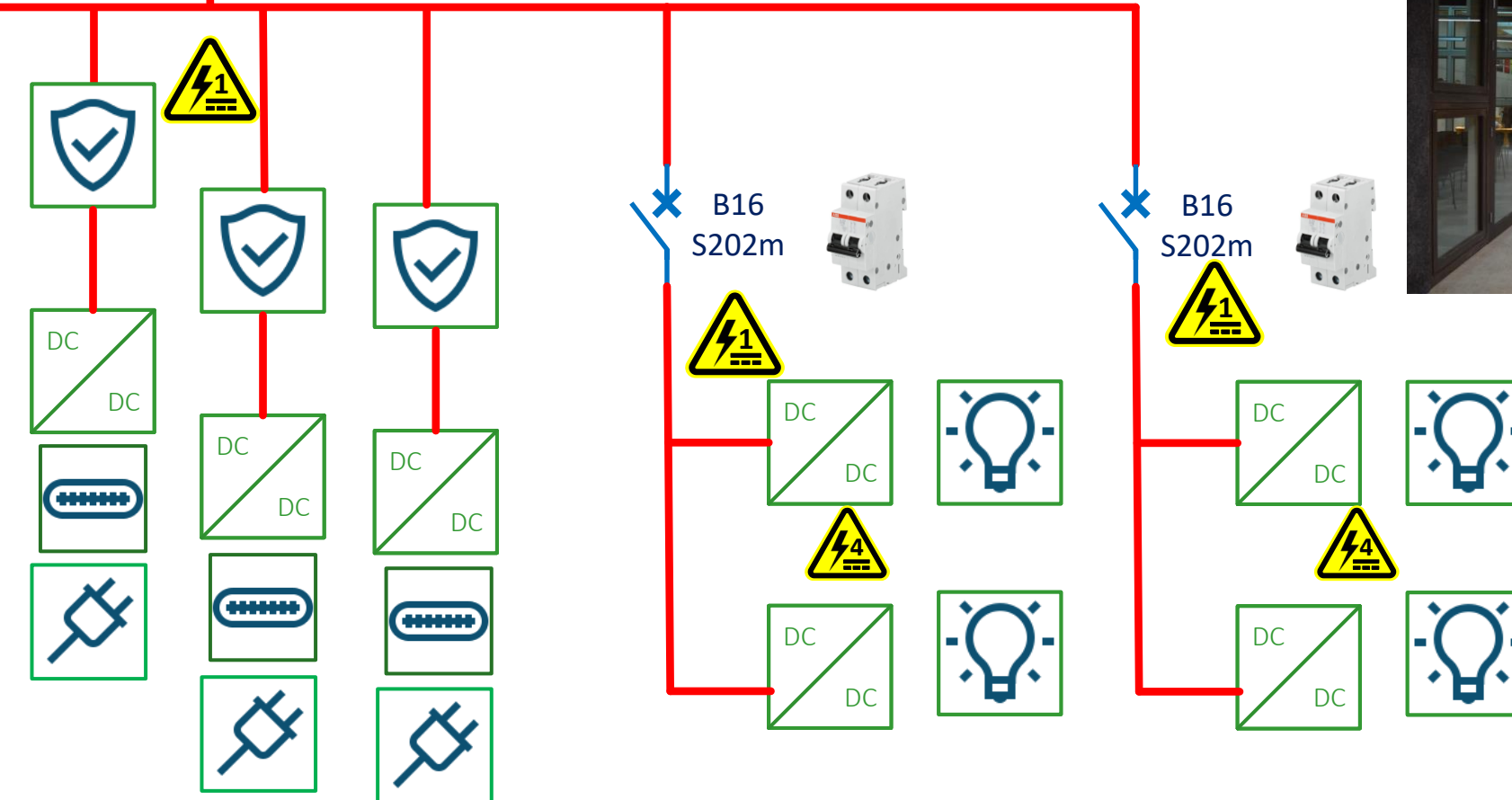


AFE Bi-Directional converter
3X 50kW



3x 20kW battery storage

USB-c sockets 100W +
1x350V DC plug



by Schneider Electric